



**Features:**

- Each kit includes one piece VGD125K VGA-T transmitter and one piece VGR110 receiver. Additional receivers are sold separately.
- VGD125K is designed for long range VGA distribution over cost effective CAT5 UTP cable.
- One or multi video input/output, with one VGA LOOP output (VGA cable) for local side. Others are RJ-45 output (CAT5 UTP cable) at remote side.
- All of the built-in amplifiers are for long range VGA signal transmissions that can range up to 1000ft / 300m when working with VGR110 VGA receiver at remote side.
- Dual output: 1 VGA loop output for local, plus 4 x CAT5 RJ45 output for remote side.
- Each VGA display equipment requires one VGR110 receiver at remote side (Order separately).
- Built-in contrast, brightness adjustment at VGR110 Receiver.
- Supports up to 1600x1200 @ 85Hz.
- Use CAT5 cable instead of VGA cable.
- Long range transmission up to 1000ft / 300m.
- Ideal for classroom video distribution, lecture halls, retail kiosks, video information displays, overhead projector systems, PC-training systems, and tradeshow PC demo systems.
- Power supply included.



**TX: Front**

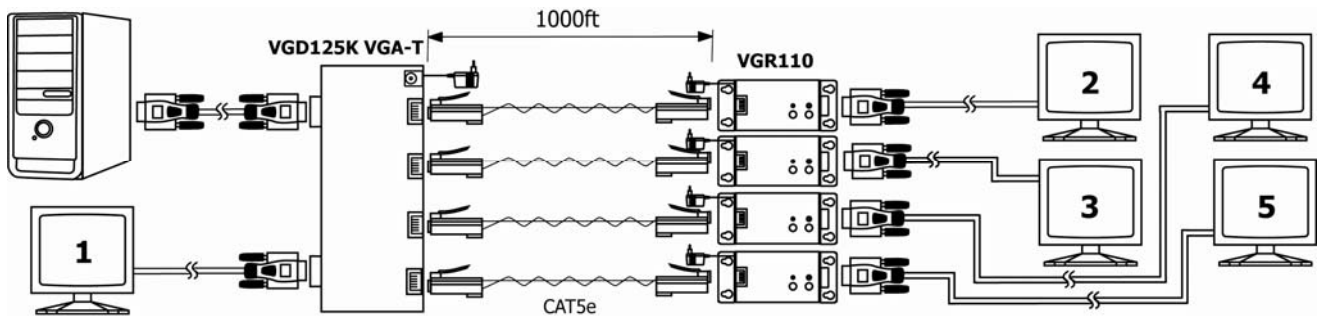


**TX: Rear**

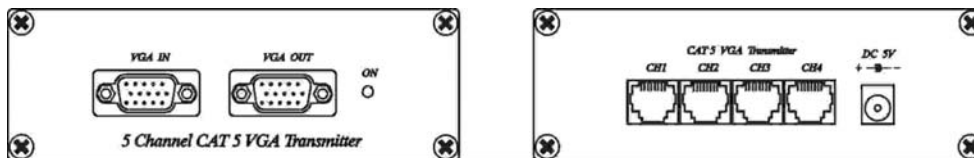


**RX**

**Wiring Diagram:**



**Panel View:  
VGD125K VGA-T**

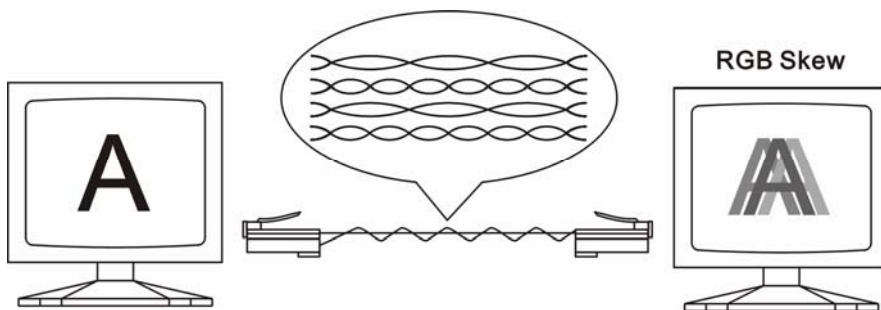


**VGR110**

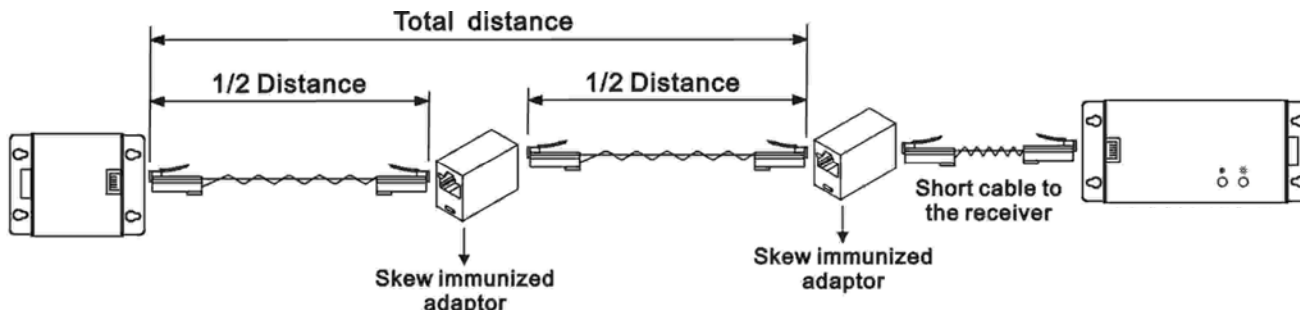


**Installation Tips:**

Since the pair of wires for the CAT5 cable is twisted at different rates, and the coating of the cable is made of different qualities, the installation of each pair will cause different signal arrival times. If there is a big different at the arrival time, that will cause RGB skew status. This is seen on the monitor as separation, or lack of convergence in colors. Normally it happens on long CAT 5 cable runs.



To reduce the skew status, it is recommended that you add two of the specially made “skew immunized adaptor” that is included in the package.



**CAUTION:** To avoid damaging the display equipment, be sure to connect the correct cables and power for VGD122K VGA-T or VGD125K VGA-T before connecting VGR110.

**Specification:**

<b>Model Number</b>	<b>VGD125K VGA-T</b>	<b>VGR110</b>
Resolution	Up to 1600 x 1200 @ 85Hz	
Transmission Distance	Up to 1000 ft / 300m	
Video Amplifier Bandwidth	150MHz	
Video Input Signals	RGB Analog (75Ω, 0.7Vp-p)	
	Sync Signal H/V Separated (TTL)	
Horizontal Frequency Range	30-95KHz	
Vertical Frequency Range	50-180Hz	
VGA Connector	15-pin Mini D-Sub (High Density)	
Link Connector	4 x RJ45	
Power	5V DC 500mA	5V DC 500mA (External)
Power Consumption	400mA (Max)	250mA (Max)
Temperature	Operation: 0~55°C, Storage: -20~85°C, Humidity: up to 95%	
Dimensions W x H x D mm	57.5 x 67 x 27mm	67 x 27 x 140mm

**FCC CE C-TICK**