



4-Channel Passive Video Balun / Transceiver

Model: VBU400T



Features:

- Transmit a color video signal up to 400M / 1200Ft, and a full motion monochrome (B&W) video signal up to 600M / 2000Ft.
- Passive; No power required.
- Eliminate coaxial cable.
- Built-in Filter: 0-6MHz
- Use RJ45 Jack or 6 screw type terminal to connect between units.



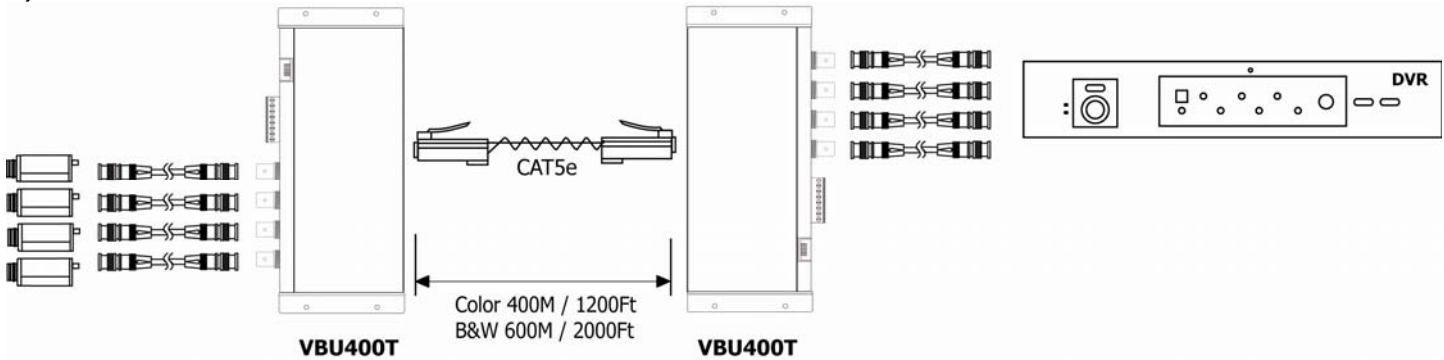
Front



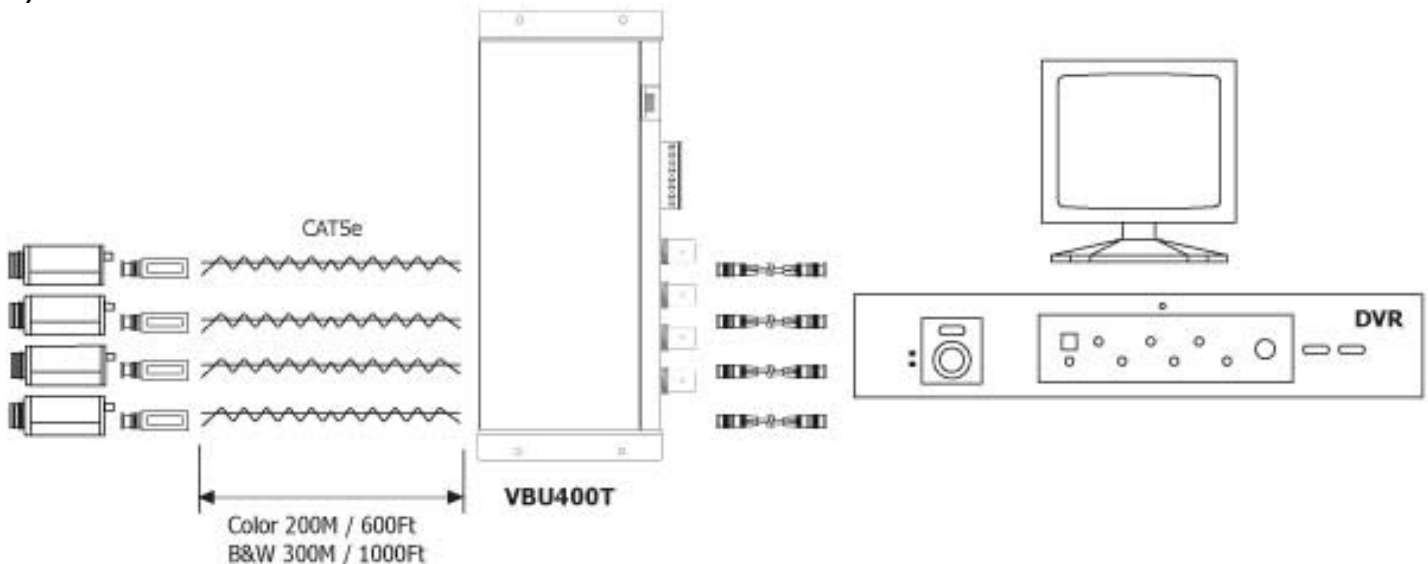
Rear

Wiring Diagram:

A)

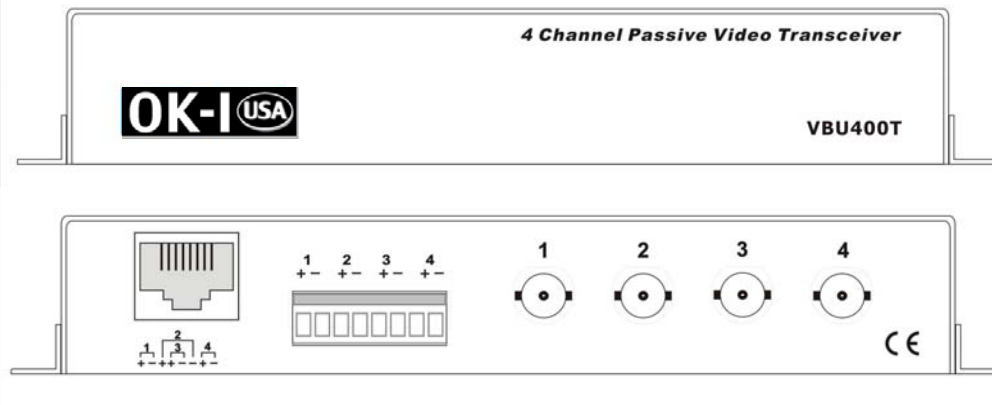


B)



Panel View:

Front



Rear

Specification:

Model Number		VBU400T
Video Transmitting Properties	Supporting Video Mode	All Baseband Signals including PAL, NTSC, SECAM
	Signal Band	250MHz (-3dB)
	Balance Band	0~6MHz
	Maximum Transmission Distance	Color 400M / 1200Ft, B&W 600M / 2000Ft Transmitting Cable: UTP CAT5e
	Interference Rejection	>75dB
Connection Properties	Video Output Connectors	4x2 Female BNC, Resistance 75 Ohms
	Connector for UTP Transmission	Screw Terminal Set and RJ45, Resistance 50 Ohms
Protections	Video Output Protection	2KV (common mode), 10/700us IEC6100-4 2/1955 (GB/T 1726, 5-1999)
	Video Input Protection	2KV (different mode), 4KV (common mode) IEC6100-4 2/1955 (GB/T 1726, 5-1999)
	Video Input Protection for Over Current	100mA
Stability	MTBF	>30,000 hours
Physical Properties	Dimensions (L x W x H)	7.09" x 3.35" x 1.73" / 190 x 85 x 44 mm
	Housing Material	Metal
	Color	Black
	Weight	1.32lbs / 600g
Environmental	Operating Temperature	-4°F ~ 158°F / -20°C ~ 70°C
	Relative Humidity	0~95%
	Storage Temperature	-40F ~ 302°F / -40°C~150°C

FCC CE ROHS C-TICK

Caution :

- Do not connect this device to any power source.
- Do not handle the unit with wet hands.
- The unit is not waterproof and should not be used outdoors.