



4-Channel Active Video Balun Receiver

Model: VBAU400R



The VBAU400R video receiver is a four-channel active device that allows reception of real-time monochrome (B&W) or color video via Unshielded Twisted Pair (UTP) cable. The unit receives four channel of video from transmitters with both RJ45 and screw terminals available for connections and provides four pairs of BNC video output.

The unit is compatible with active transmitter (e.g. VBAU100T) and passive transceivers (e.g. VBU100T, VBU400T) with transmission distance up to 1200M / 4000Ft and 600M / 2000Ft respectively. Each switch can be independently adjusted for the different transmission distances and image quality based upon the type and quality of the cable being used.

Features:

- Transmit a full motion color video signal up to 1200M / 4000Ft and a full motion monochrome (B&W) video signal up to 2400M / 8000Ft.
- 4-channel active receiver hub, built-in 4 pieces VBAU100R.
- Supports all bandbase signals including PAL, NTSC, SECAM.
- Signal Transmission via UTP CAT5 / CAT5e.
- Transmission Signal 1Vpp Composite Video.
- Built-in transient protection and ground lifting, damaging voltage spike problems are eliminated.
- Video receiving connectors with both RJ45 connector and screw type terminals.
- Use VBU400T 4-channel passive video transceiver as a transmitter to work with Active VBAU400R receiver; transmission range is 3000Ft / 1000M.
- Built-in Filter: 0-6MHz
- Red LED: Power on/off
- Yellow LED: Signal
- Power supplied 12V DC

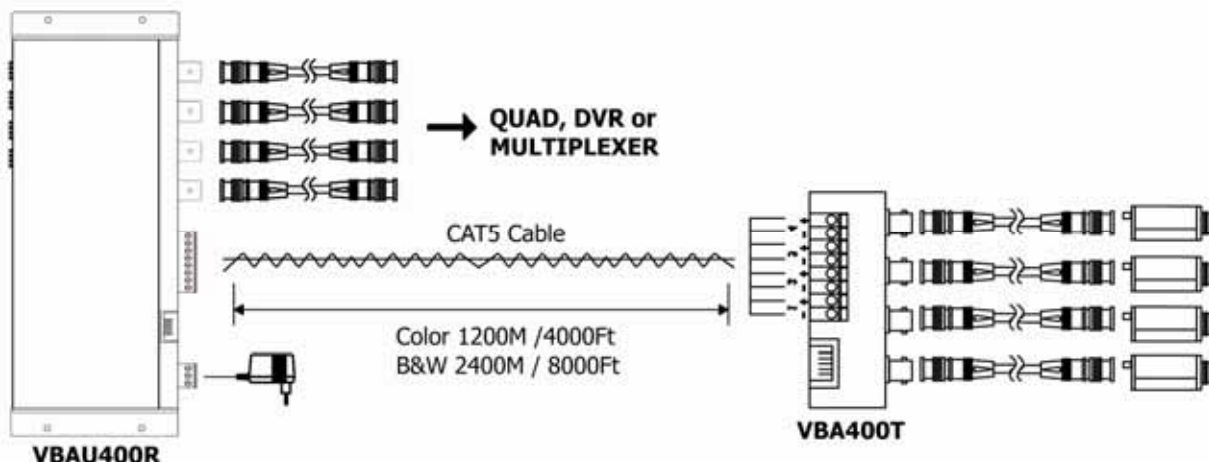


Switch Chart: Each switch can be independently adjusted for the different transmission distances and image quality based upon the type and quality of the cable being used.

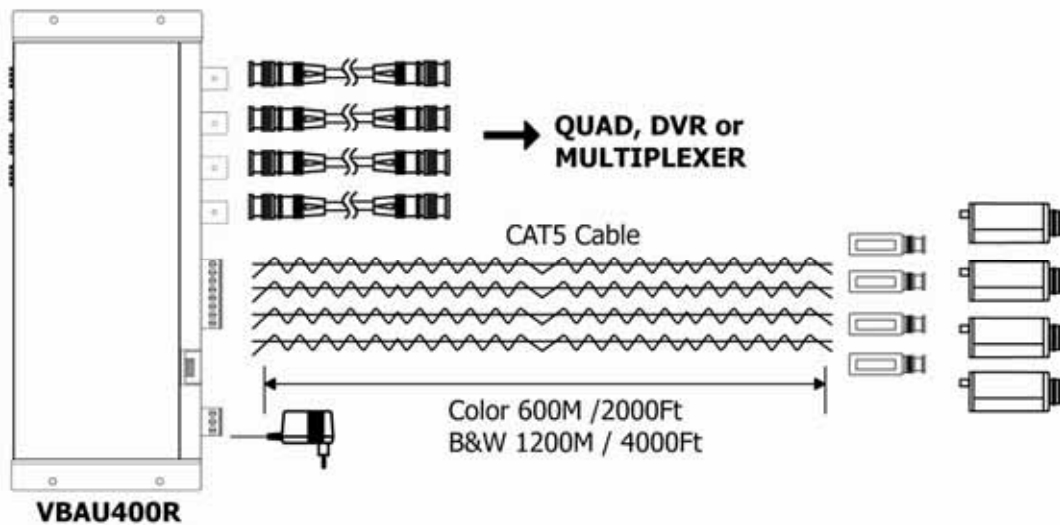
ADJ	0-300M	300-600M	600-1200M	>1200M
SWITCH				

Wiring Diagram:

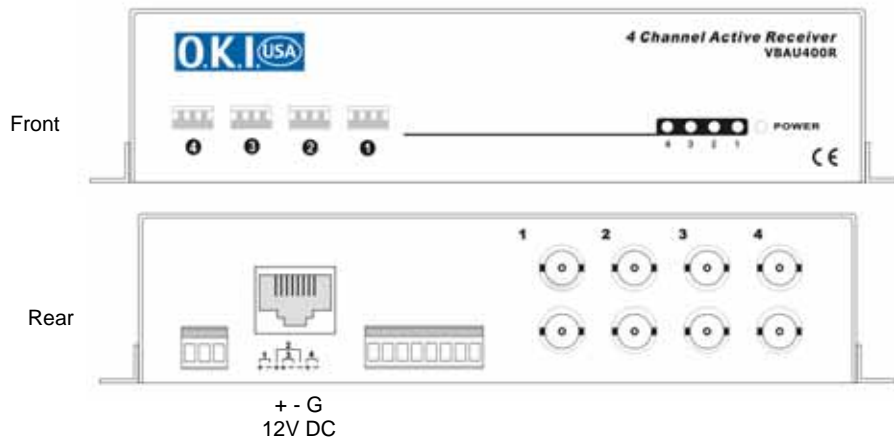
A)



B)



Panel View:



Troubleshooting:

All transmission distances mentioned above are without connecting image processors (e.g. Quad, Multiplexer, or DVR). The transmission range would be reduced to 100-200M / 300-600Ft upon different camera, cable, DVR, etc.

These products are designed for long range transmission, utilizing the built-in video amplifier function. If your transmission range is under 100M / 300Ft, setting the video gain function too high will result in snowy, wavy, or overly bright images. It is recommended that this product be used for long transmission distances over 100M / 300Ft. For shorter distances use an alternate passive video transceiver such as the VB100S or VB100T series.

The active receiver has a switch with 4 different distance ranges for the range of transmissions. Please switch to the appropriate range upon your application to avoid any weak or bad image.

Specification:

Model Number		VBAU400R
Power Properties	Adaptive Voltage Arrange	12V DC
	Power Consumption	<500mw
Video Transmitting Properties	Supporting Video Mode	All Baseband Signals including PAL, NTSC, SECAM
	Signal Band	250MHz (-3dB)
	Balance Band	0~6MHz
	Maximum Transmission Distance	Color 1200M / 4000Ft, B&W 2400M / 8000Ft (working with VBAU100T) Transmitting Cable: UTP CAT5e
	Attenuation	1.5dB Max.
	Interference Rejection	>75dB
Connection Properties	Video Output Connectors	4x2 Female BNC, Resistance 75 Ohms
	Connector for UTP Transmission	Screw Terminal Set and RJ45, Resistance 50 Ohms
Protections	Video Output Protection	2KV (common mode), 10/700us IEC6100-4 2/1955 (GB/T 1726, 5-1999)
	Video Input Protection	2KV (different mode), 4KV (common mode) IEC6100-4 2/1955 (GB/T 1726, 5-1999)
	Video Input Protection for Over Current	100mA
Video Adjustments	Adjusting Switches	4 Blue Adjusting Switches per Channel
	Adjusting Categories	Categories: 0~600M, 600~900M, 900~1200M, >1200M
Indicators	Power LED	Red
	Signal LED	Yellow
Stability	MTBF	>30,000 hours
Physical Properties	Dimensions (L x W x H)	190 x 95 x 44 mm
	Housing Material	Metal
	Color	Black
	Weight	600 g
Environmental	Operating Temperature	-20°C~70°C
	Relative Humidity	0~95%
	Storage Temperature	-40°C~150°C

FCC CE ROHS C-TICK

Caution :

- Do not connect this device to any power source other than what is supplied.
- Do not handle the unit with wet hands.
- The unit is not waterproof and should not be used outdoors.