



# Active Video Balun Transmitter

Model: VBA100T

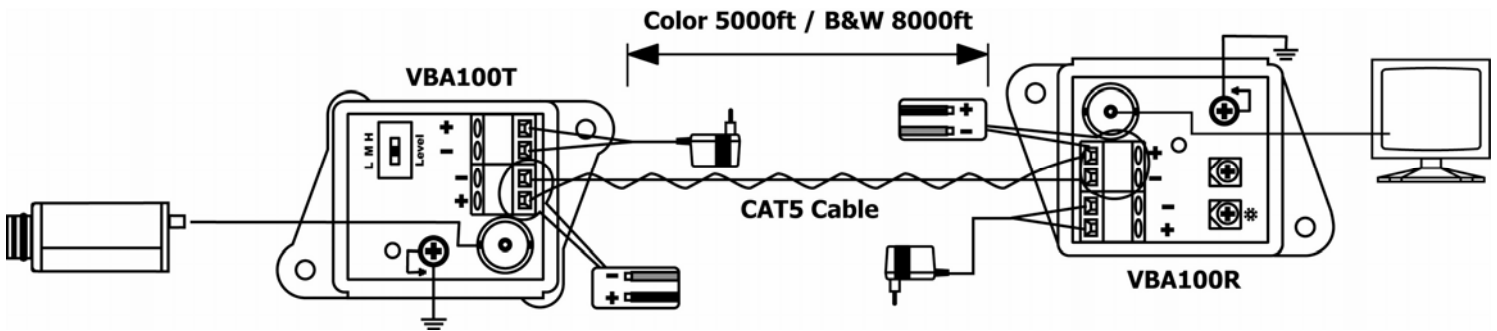


## Features:

- Transmit a full motion color or monochrome video signal up to 5000Ft / 1500M and B/W signal up to 8000Ft / 2400M.
- Data signal (RS422, RS485), audio signal, alarm sensor (PIR, magnetic, etc.) or data (pan, tilt, and zoom) can be integrated using an unused CAT5 pair cable.
- Three position range switch for gain select on Transmitter VBA100T.
- Built-in transient protection and ground lifting, which eliminates damaging voltage spike problems.
- Red LED: Power on/off.
- Green LED: Video receive/loss.
- Power supply included.



## Wiring Diagram:



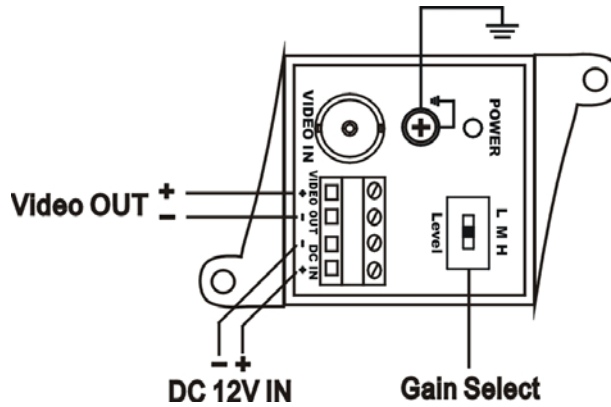
## Troubleshooting:

All transmission distances mentioned above are without connecting image processors (e.g. Quad, Multiplexer, or DVR). The transmission range would be reduced 300-600Ft (100-200M) upon different camera, cable, DVR ... etc.

These products are designed for long range transmission, utilizing the built-in video amplifier function. If your transmission range is under 300Ft (100M), setting the video gain function too high will result in snowy, wavy, or overly bright images. It is recommended that this product be used for long transmission distances over 100M. For shorter distances use an alternate passive video transceiver such as the VB100 series.

The VB100T active transmitter has a switch with 3 different distance ranges for the range of transmissions. Please switch to the appropriate range upon your application to avoid any weak or bad image.

**Panel View:**



**Specification:**

<b>Model Number</b>	<b>VBA100T</b>
Video Output	BNC Connector
Video Signal	1V p-p, 75 Ohms
Transmission Distance	B/W 8000Ft / 2400M, Color 5000Ft / 1500M
Video Gain Adjusting	Press 1 Low
	Press 2 Medium
	Press 3 High
Power	12V DC
DC Output For CCD Camera	12V DC Regulate, 300mA(max)
Power Consumption	40mA(max)
Dimension W X H X D mm	49 x 42 x 45mm

**FCC**

**CE**

**C-TICK**