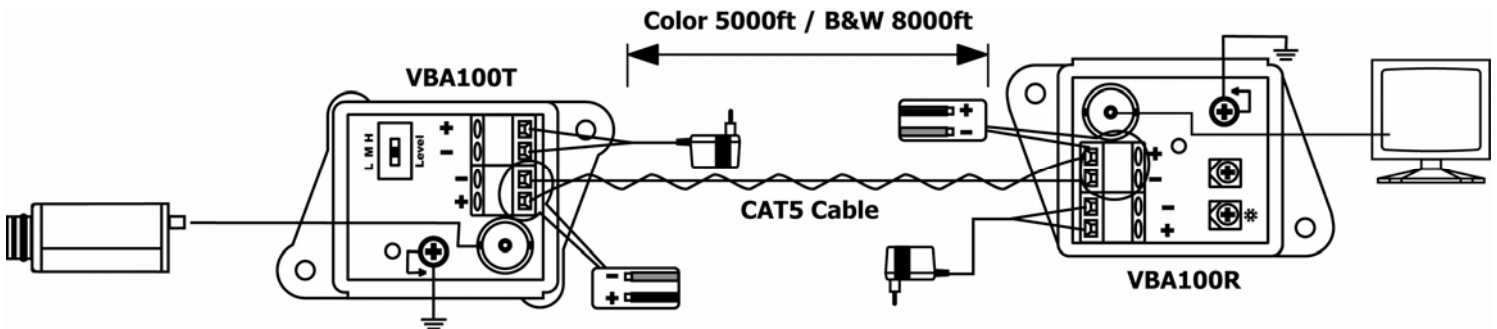


### Features:

- Transmit a full motion color or monochrome video signal up to 5000Ft / 1500M and B/W signal up to 8000Ft / 2400M.
- Data signal (RS422, RS485), audio signal, alarm sensor (PIR, magnetic, etc.) or data (pan, tilt, and zoom) can be integrated using an unused CAT5 pair cable.
- Easy setting with 2 adjustments for color gain and brightness
- Built-in transient protection and ground lifting, which eliminates damaging voltage spike problems.
- Red LED: Power on/off.
- Green LED: Video receive/loss.
- Power supply included.



### Wiring Diagram:

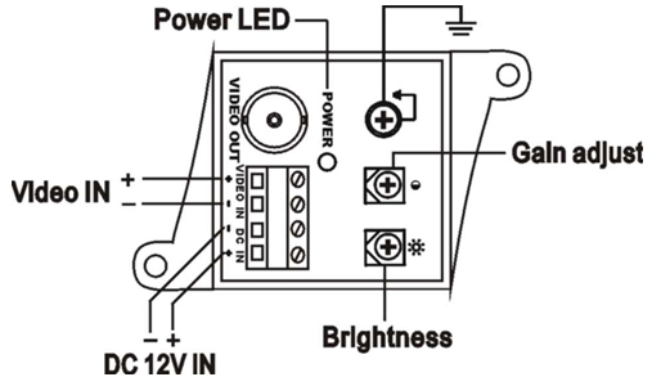


### Troubleshooting:

All transmission distances mentioned above are without connecting image processors (e.g. Quad, Multiplexer, or DVR). The transmission range would be reduced 300-600Ft (100-200M) upon different camera, cable, DVR ... etc.

These products are designed for long range transmission, utilizing the built-in video amplifier function. If your transmission range is under 300Ft (100M), setting the video gain function too high will result in snowy, wavy, or overly bright images. It is recommended that this product be used for long transmission distances over 100M. For shorter distances use an alternate passive video transceiver such as the VB100 series.

**Panel View:**



**Specification:**

<b>Model Number</b>	<b>VBA100R</b>	
Video Input	BNC Connector	
Video Signal	1V p-p, 75 Ohms	
Power	12V DC	
Power Consumption	40mA (max)	
Adjustment	Gain Adjust	
	Brightness	
Cable	<b>UTP / CAT-5 UTP Cable 4 pair (AWG24)</b>	
Dimension	W X H X D mm	49 x 42 x 45mm

**FCC**

**CE**

**C-TICK**