



Passive Video Balun with Power & Data

Model: VB111T

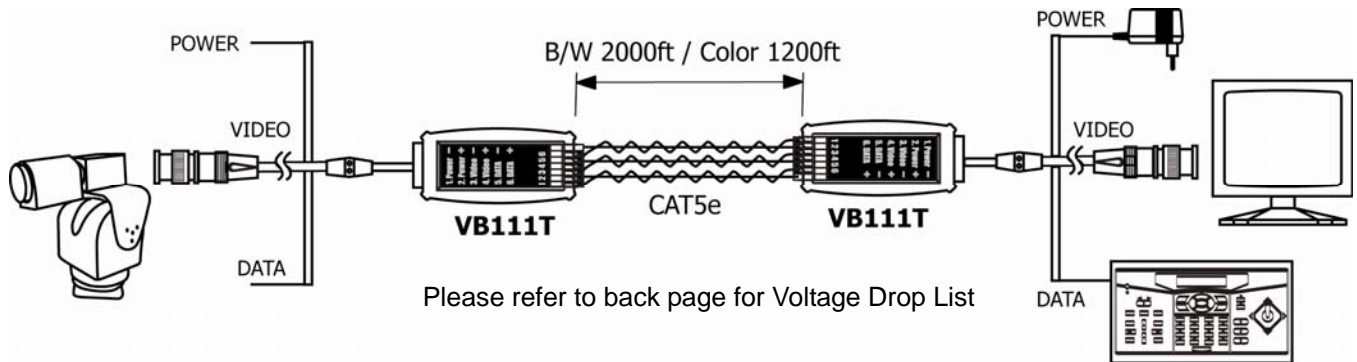


Features:

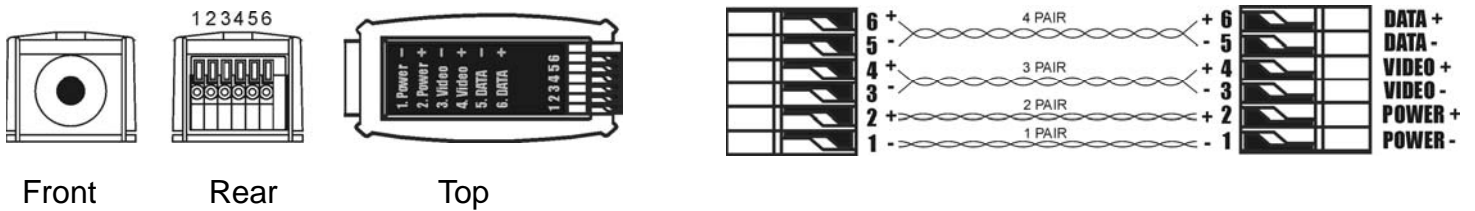
- BNC male with 6 push-pin terminal; male and female 12V DC plug.
- Video, camera power, data (RS422, 485) transmission over one standard CAT 5 cable.
- Built-in PTC fuse for short protection.
- Application for B/W video signal up to 2000Ft / 600M, and color video signal up to 1200ft / 400m.



Wiring Diagram:



Panel View:



Specification:

Model Number	VB111T
Video Input / Output	BNC Male, Male 12V DC Plug, Data / 6 Push-Pin Terminal
Video Signal	1 (1V p-p, 75 Ohms)
Transmission Distance	2000ft / 600m (B/W), 1200ft / 400m (Color)
Cable	UTP / Twisted Pair CAT5 (AWG24)
Power	No Power Required
Dimensions W X H X D mm	69 x 25 x 20.5 with 6" Power Lead

FCC

CE

C-TICK

Voltage Drop According to Cable Length (24AWG):

Voltage	15V DC											
Range	50M			100M			300M			600M		
Power Consumption	1 PAIR	2 PAIR	3 PAIR	1 PAIR	2 PAIR	3 PAIR	1 PAIR	2 PAIR	3 PAIR	1 PAIR	2 PAIR	3 PAIR
50mA	14.4	14.7	14.8	13.8	14.3	14.6	11.9	13.6	14	X	12	12.9
100mA	14	14.5	14.5	12.7	13.8	14.2	X	12.2	13.1	X	X	11.1
150mA	13.5	14.2	14.3	12	13.4	13.9	X	11.1	12.3	X	X	X
200mA	12.6	14	14.2	11.3	12.9	13.6	X	X	11.5	X	X	X
250mA	12.1	13.7	14	10.3	12.4	13.2	X	X	X	X	X	X
300mA	11.8	13.5	13.8	X	12	12.9	X	X	X	X	X	X
350mA	11.3	13.3	13.7	X	11.7	12.7	X	X	X	X	X	X
400mA	10.8	13	13.5	X	11.2	12.4	X	X	X	X	X	X
450mA	X	12.7	13.3	X	10.7	12.1	X	X	X	X	X	X
500mA	X	12.4	13.1	X	X	11.6	X	X	X	X	X	X

Voltage	24V DC											
Range	50M			100M			300M			600M		
Power Consumption	1 PAIR	2 PAIR	3 PAIR	1 PAIR	2 PAIR	3 PAIR	1 PAIR	2 PAIR	3 PAIR	1 PAIR	2 PAIR	3 PAIR
50mA	23.8	23.8	23.8	23	23.5	23.6	21	22.4	23	18.1	21.2	22.1
100mA	23.6	23.4	23.5	22.4	23.1	23.3	18.7	21.1	22.2	12.9	18.7	20.4
150mA	22.6	23.2	23.3	21.3	22.6	22.9	16.2	20	21.3	X	16.1	18.9
200mA	22.1	22.9	23.1	20.3	22	22.5	13.7	18.1	20.5	X	13.5	17.1
250mA	21.6	22.6	22.9	19.4	21.6	22.2	10.9	17.4	19.6	X	11.1	15.4
300mA	21.1	22.4	22.7	18.4	21.2	21.9	X	16.1	18.8	X	X	13.8
350mA	20.6	22.1	22.5	17.5	20.6	21.6	X	15	18.1	X	X	12.2
400mA	20.2	21.8	22.3	16.5	20.1	21.2	X	13.9	17.3	X	X	10.7
450mA	19.7	21.6	22.1	15.5	19.6	20.9	X	12.7	16.6	X	X	X
500mA	19.1	21.3	21.9	14.5	19.1	20.5	X	11.3	15.4	X	X	X