



Active 4-CH VGA Video / Audio Transmitter

Model: VADU04T



The VADU04T is an active VGA video and audio transmitter similar to VADU01T except it allows four channels of VGA video and audio signal transmission to four different remote destinations via Unshielded Twisted Pair (UTP) cable. VADU04T provides four channels of video and audio via RJ45 outputs and one set of local VGA video and audio outputs. When working with VADU122R, VADU04T can extend VGA video and audio transmissions up to 1000ft / 300m with a standard resolution of 1024x768 and up to 1600x1200 @ 60Hz for 500ft / 150m.

Features:

- Transmission Distance up to 1000ft / 300m when used with VADU122R
- VGA video & audio signal transmission via UTP cable (CAT5 / CAT5e)
- 350 MHz signal transmission bandwidth
- Provides four ports RJ45 outputs for transmission and one pair of local VGA video & audio outputs
- Quality stereo audio
- High video resolution depends on the length and quality of UTP cable with standard resolution 1024x768 and up to 1600x1200 @ 60Hz
- Exceptional interference rejection
- Built-in transient protection
- Multi-platform support; supports PC, Mac, Sun, and Linux systems
- OS Support: Windows 2000 / XP / Linux / Mac / Sun
- 12V DC or USB Power (12V DC power supply included)

Components are Made In USA for this product:

Name of Component	Manufacturer
Video Signal Disposal	Intersil
DCDC Power	ST Microelectronics
Power	On. Semiconductor

R&D Designed in Taiwan
Assembled in China

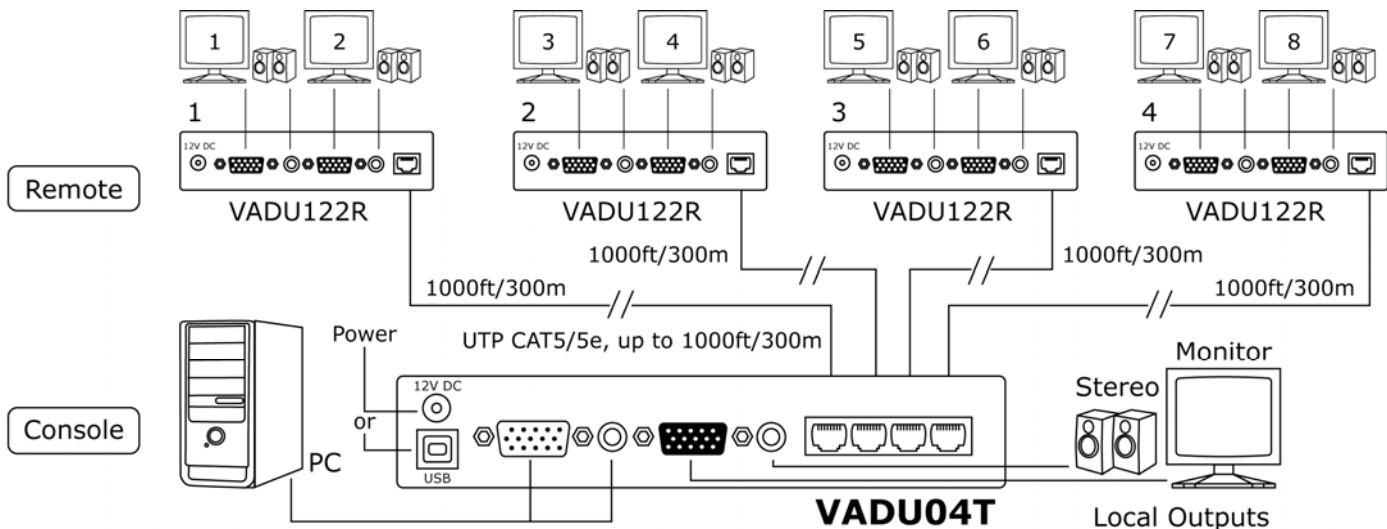


Front



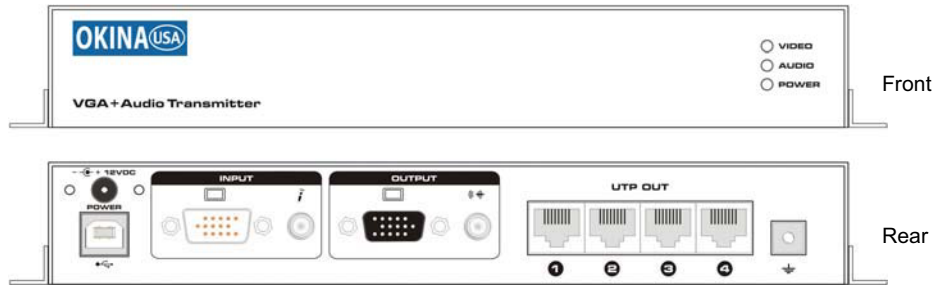
Rear

Wiring Diagram: Maximum Configuration up to 8 Monitors & Speakers



VADU04T	Max. Distance via CAT5 Cable	Hz
800x600 pixels	1148ft / 350m	60Hz
1024x768 pixels	1000ft / 300m	60Hz
1280x1024 pixels	650ft / 200m	60Hz
1600x1200 pixels	500ft / 150m	60Hz

Panel View:



Specification:

Model		VADU04T
Power Properties	Voltage	12V DC
	Power Consumption	1.5W
	Connectors	DC Jack, USB-B
	USB Protecting Current	500mA
Video Properties	Video Input Connectors	15-pin HDB Male (Black) Resistance: 75 Ohms
	Video Output Connectors	15-pin HDB Female (Black) Resistance: 75 Ohms
	Signal Transmission Output Connector	4x RJ45 Resistance: 50 Ohms
	Signal Transmission Band	> 350 MHz (-3dB)
	Linear Distortion	< 3%
	Synchronous Signal	0V ~ 5V, TTL PWL
	Synchronous Signal Band	1K ~ 200KHz
	DDC2	Support DDC2
Audio Properties	Connectors	2 x 3.5mm Audio Jack
	Input Resistance	10K Ohms
	Output Resistance	600 Ohms
	Band	10 ~ 20KHz
Indicators	Video LED	Green
	Audio LED	Yellow
	Power LED	Red
Stability	MTBF	> 20,000h
Physical Properties	Dimensions (LxWxH)	195mm x 85mm x 32mm
	Housing Material & Color	Metal, Black
Weight	Net Weight	510g
Environment	Operating Temperature	0°C ~ 70°C
	Relative Humidity (non-condensing)	10 ~ 85%
	Storage Temperature	-10°C ~ 80°C
Accessories	Power Adaptor	Outputs 12V DC, 1Amp Inputs 90V ~ 250V AC
	VGA & AUDIO & USB Cables	USB-A to USB-B Connector, Support USB 2.0; 1.5m Length VGA Cable, and Audio Cable
	Others	2 x Mounting Bracket, 4 x screws
Packing	Box Size (LxWxH)	280mm x 192mm x 75mm

FCC CE RoHS

R&D Designed in Taiwan
Components are Made in USA
Assembled in China

Caution:

- All devices must be properly grounded.
- Do not handle the unit with wet hands.
- The unit is not waterproof and should not be used outdoors.