



Home Theatre HDMI CAT5E Extender

Model: HHB200K (HHB200T + HHB200R)



Features:

- Extends HDMI signal over two CAT5E/6 cables
- Transmission range up to 164ft / 50m at Full HD 1080p Resolution
- High quality digital video and audio over CAT5E/6 without any signal loss
- Built-in equalization and signal boost function
- Supports DDC, EDID and hot plug detection
- HDMI 1.3 Compliant
- HDCP 1.1 Compliant

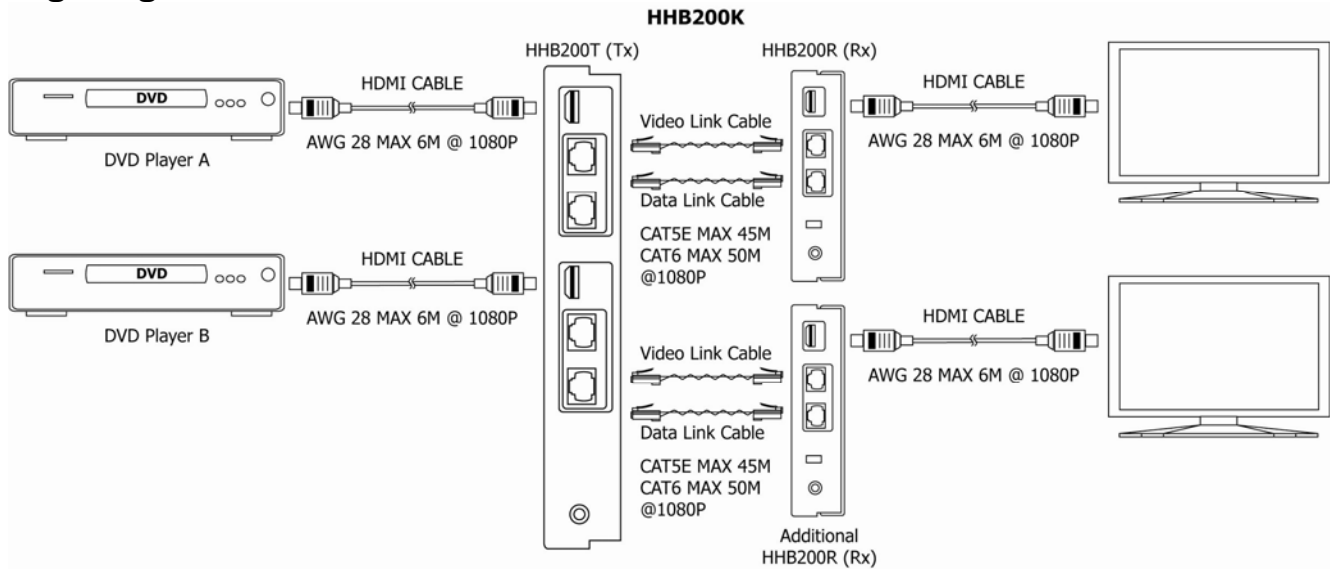


HHB200R Rear



HHB200T Rear

Wiring Diagram:



Specification:

| Model Number | HHB200T | HHB200R |
|-------------------------|--|--------------------------|
| Resolution | 480i / 480p / 720p / 1080i / 1080p | |
| Link Cable Distance | CAT5E 148ft / 45m , CAT6 164ft / 50m @ 1080p | |
| HDMI Cable Distance | 28 AWG HDMI Cables 6M @ 1080p | |
| HDMI Connector | HDMI A Type x 2 (Input) | HDMI A Type x 1 (Output) |
| Link Connector | RJ-45 Shielded x 4 | RJ-45 Shielded x 2 |
| Power Supply | 5V DC 1200mA Regulated (External) | |
| Power Consumption | 500mA (Max) | 150mA (Max) |
| Temperature | Operation: 0°~55°C Storage: -20° ~85°C Humidity: Up to 95% | |
| Dimensions W x H x D mm | 145 x 96 x 37 | 225 x 166 x 40 |
| Weight g | 300 | 800 |

FCC CE C-TICK

DIP Switch Setting:

- ┆ (Input Equalization Boost Setting)
- ↑ ON (Cable Length > 25M)
- ↓ OFF (Cable Length < 25M)

Recommended 「↑ ON」

Power / Status LED:

- [OFF] No Power
- [Blue] Detected Video Clock Signal
- [Red] No Video Clock Signal Detected
- [Purple] No DATA Link Detected

Caution:

The cabling must be placed away from any equipment with electromagnetic waves, i.e.: microwave, radio equipment, high voltage.

Troubleshooting:

No picture display:

LED status:

- [OFF] Check Power Adapter
- [Blue] Check Video Link Cable Connection, Length & Quality
Check Video & Data Cable Connection
Check DIP Switch Setting
Check HDMI Cable Connection

[Red] Check Video & Data Cable Connection
Check HDCP Compatibility
Check HDMI Cable Connection

[Purple] Check DATA Link Cable Connection
Check HDMI Cable Connection

Picture with noise:

White noise (signal is too weak)
Check Video Link Cable Connection, Length & Quality
Check DIP Switch Setting

Other color noise (signal is too weak or too strong)
Check Video Link Cable Connection, Length & Quality
Check DIP Switch Setting

Picture disappear (signal is too weak or with interference)
Check Video Link Cable Connection, Length & Quality
Check DIP Switch Setting
Move cabling away from EMI interference source

Cable:

For Video Link cable, use high quality CAT5E UTP/STP or CAT6 UTP cable.
It is recommended to use CAT6 cable if the transmission range is over 40 meters.

For Data Link cable, use CAT5E UTP/STP or CAT6 UTP cable.
The data link is not a high speed signal transmission, so regular CAT5E UTP cable is sufficient.

RJ45 pin Layout:

Video Link (TIA/EIA-568-B)

- | | |
|-----------------|---------|
| 1. Orange-white | DATA2 + |
| 2. Orange | DATA2 - |
| 3. Green-white | DATA0 + |
| 4. Blue | DATA1 + |
| 5. Blue-white | DATA1 - |
| 6. Green | DATA0 - |
| 7. Brown-white | CLOCK + |
| 8. Brown | CLOCK - |

Data Link (TIA/EIA-568-B)

- | | |
|-----------------|-----------------|
| 1. Orange-white | DDC SCL |
| 2. Orange | Hot Plug Detect |
| 3. Green-white | DDC SDA |
| 4. Blue | Reserve |
| 5. Blue-white | Reserve |
| 6. Green | GND |
| 7. Brown-white | Reserve |
| 8. Brown | Reserve |